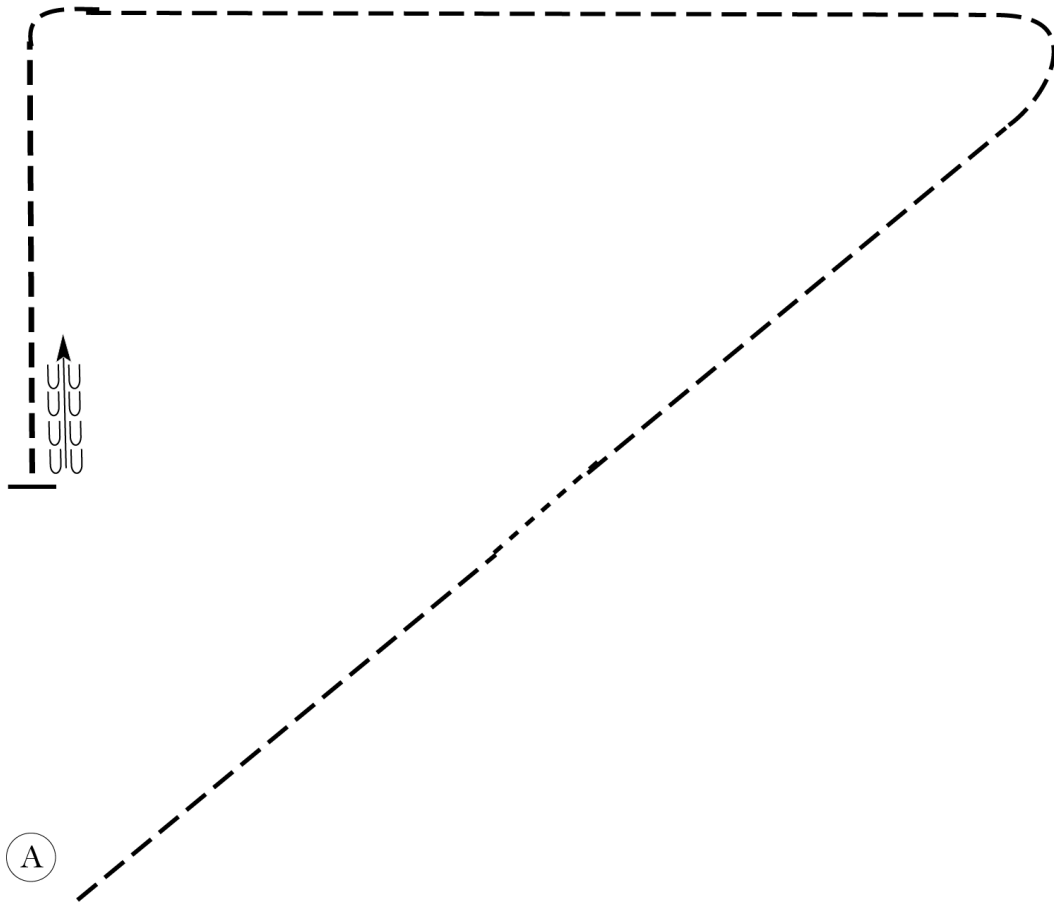


WSPHC Star Spangled Classic

Hunt Seat Equitation (W/T All)

Show Date: July 23, 2023



Be ready at A.

1. Trot right diagonal.
2. Walk 10 steps.
3. Trot on the left diagonal to the corner.
4. Change diagonals and trot to next corner.
5. At corner, perform a sitting trot halfway to A.
6. Stop when halfway to A and back approximately one horse length.

Walk	-----
Trot	- - - - -
Extended Trot	— — — — —
Canter	—————
Leg Yield	
Lead Change	— / —
Back	← ← ← ← ←
Marker	(B)
Sidepass	← — — — — →
Hand Gallop	— — — — —

[HSE/WT-106]

Pattern Provided by:

Your Judges

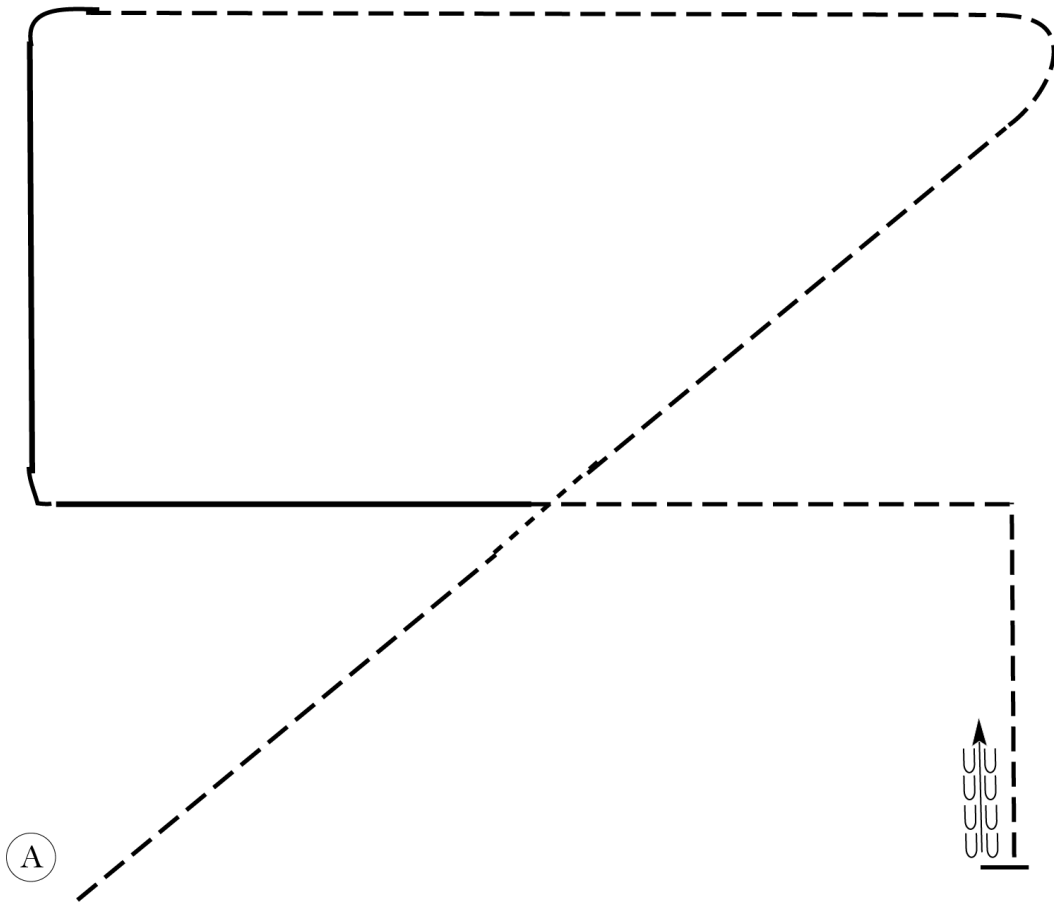
WSPHC Star Spangled Classic

Hunt Seat Equitation (Nov Youth, Nov Am)

Show Date: July 23, 2023

www.HorseShowPatterns.com

www.HorseShowPatterns.com



Be ready at A.

1. Trot right diagonal.
2. Walk 10 steps.
3. Trot on the left diagonal to the corner.
4. Change diagonals and trot to next corner.
5. Pick up the left lead canter and canter crossing over your line.
6. Break to a sitting trot around corner until you are in line with A.
7. Stop and back and back approximately one horse length.

Walk	-----
Trot	- - - - -
Extended Trot	— — — — —
Canter	—————
Leg Yield	
Lead Change	↘ ↙
Back	← ← ← ← ←
Marker	⊙
Sidepass	← — — — — →
Hand Gallop	— — — — —

[HSE/1-106]

Pattern Provided by:

Your Judges

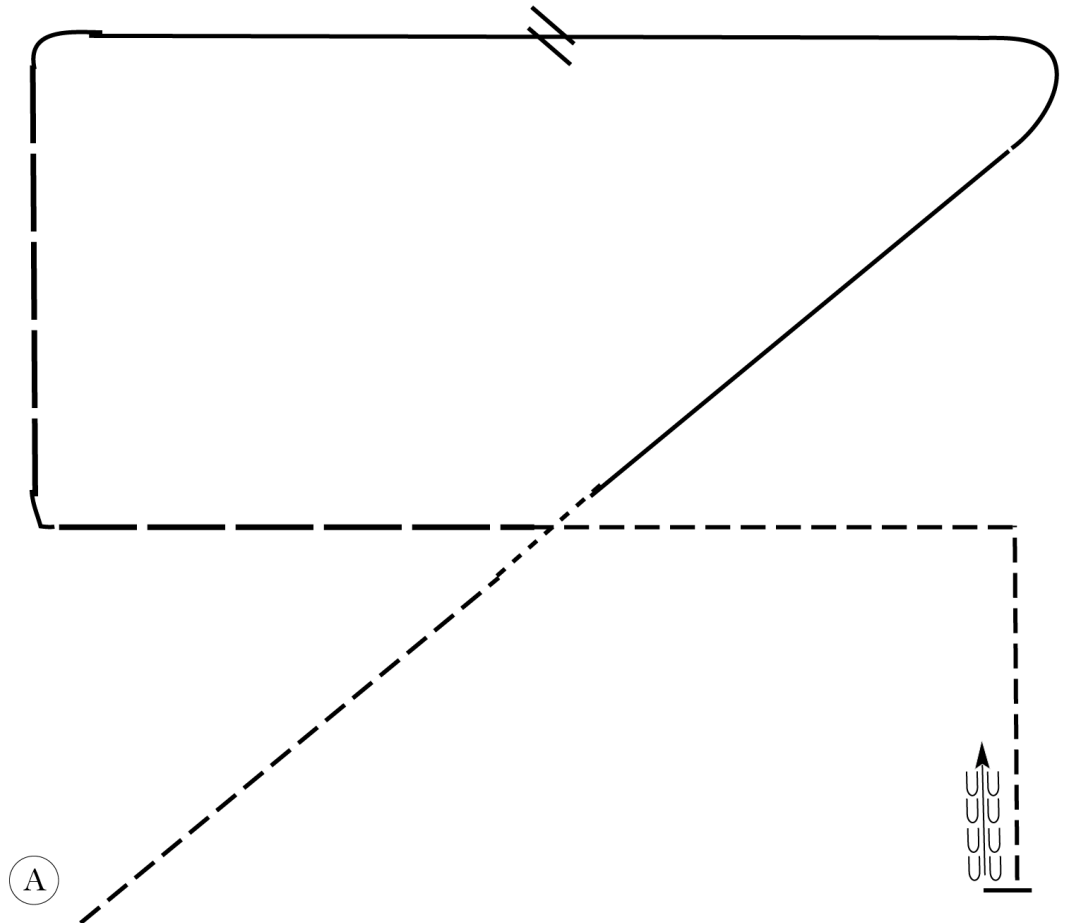
WSPHC Star Spangled Classic

Hunt Seat Equitation (Youth ALL, Am ALL)

Show Date: July 23, 2023

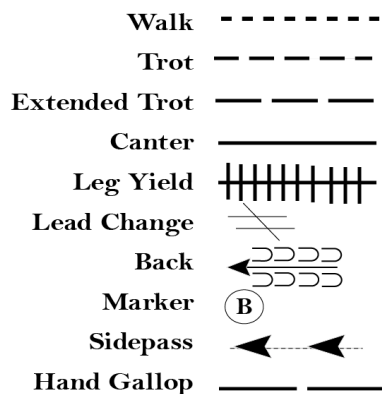
W W W . H O R S E S H O W P A T T E R N S . C O M

W W W . H O R S E S H O W P A T T E R N S . C O M



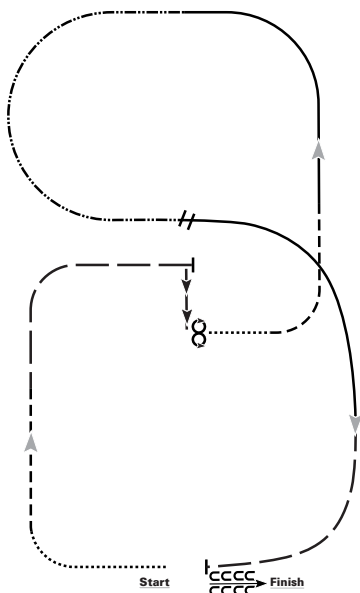
Be ready at A.

1. Trot right diagonal.
2. Walk 10 steps.
3. Canter on the right lead.
4. Change leads and continue on the left lead.
5. Hand gallop, crossing over your line.
6. Break to a trot remaining in the two point position.
7. Left diagonal after your corner until you are in line with A.
8. Stop and back and back approximately one horse length.



[HSE/2-106]

Pattern Provided by:
Your Judges

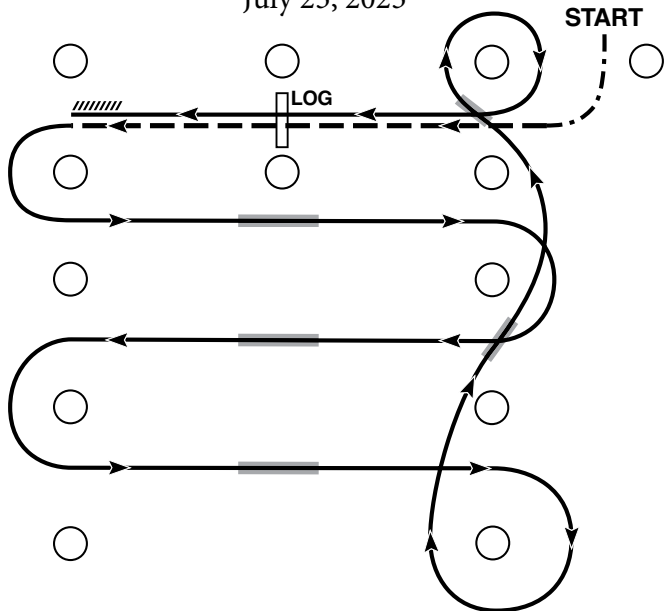


1. Walk to the left around corner of the arena
2. Trot
3. Extend alongside of the arena and around the corner to center
4. Stop, side pass right
5. 360 turn each direction (either way 1st)
6. Walk
7. Trot
8. Lope left lead
9. Extend the lope
10. Change leads (simple or flying)
11. Collect to the lope
12. Extend trot
13. Stop and back

WSPHC Star Spangled Classic Ranch Riding (all classes) July 23, 2023

WSPHC Star Spangled Classic Western Riding - Green & Novice

July 23, 2023

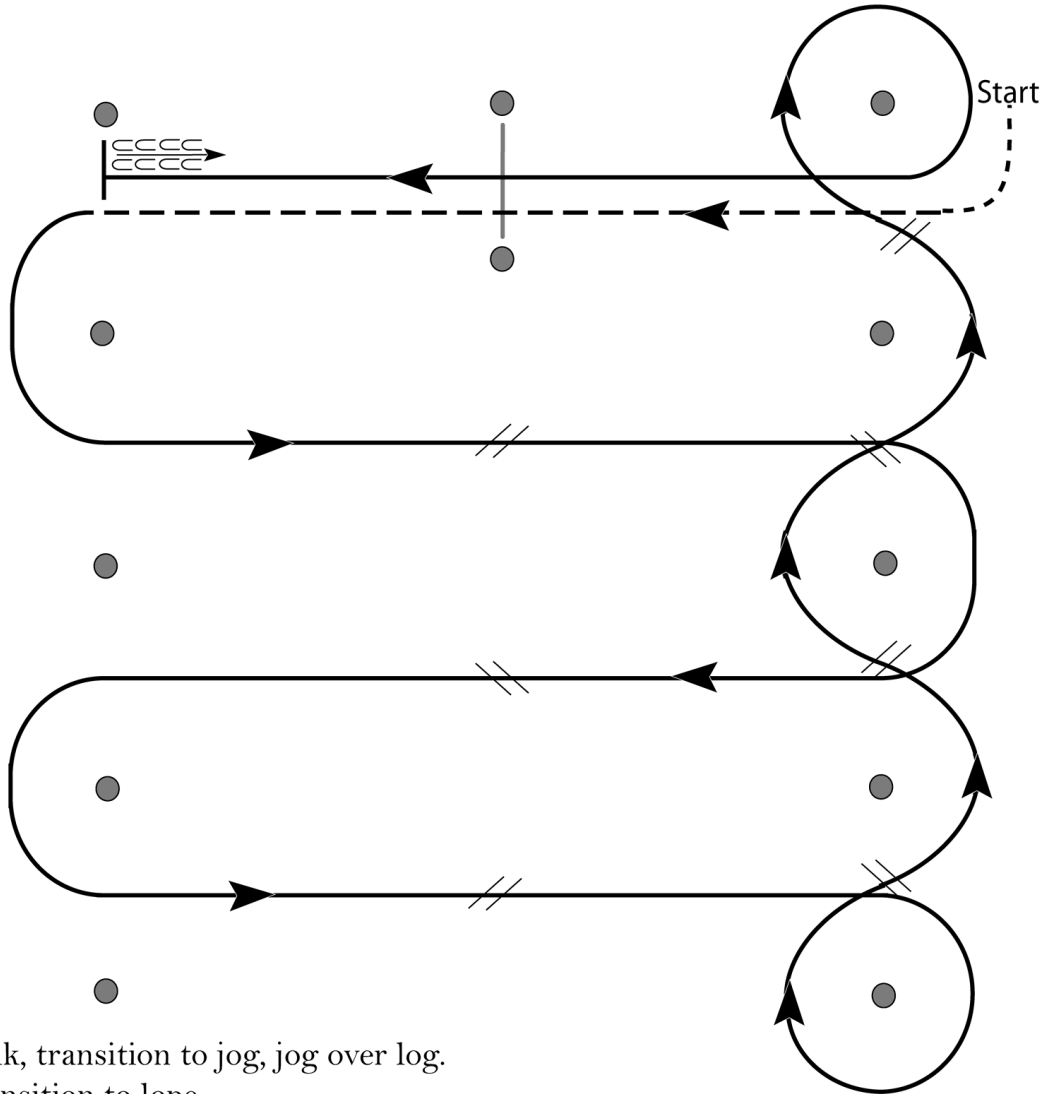


1. Walk, transition to log, jog over log.
2. Transition to left lead lope
3. First crossing change.
4. Second crossing change.
5. Third crossing change.
6. Circle and first line change.
7. Second line change and circle.
8. Lope over log.
9. Stop and back.

WSPHC Star Spangled Classic

Western Riding (All Youth, Amateur, Jr. Horse & Sr. Horse)

Show Date: July 23, 2023



1. Walk, transition to jog, jog over log.
2. Transition to lope.
3. First crossing change.
4. Second crossing change.
5. Third crossing change.
6. Circle and first line change.
7. Second line change.
8. Third line change.
9. Fourth line change and circle.
10. Lope log.
11. Lope, stop and back.

[WR/OP-2]

Pattern Provided by:

Your Judges

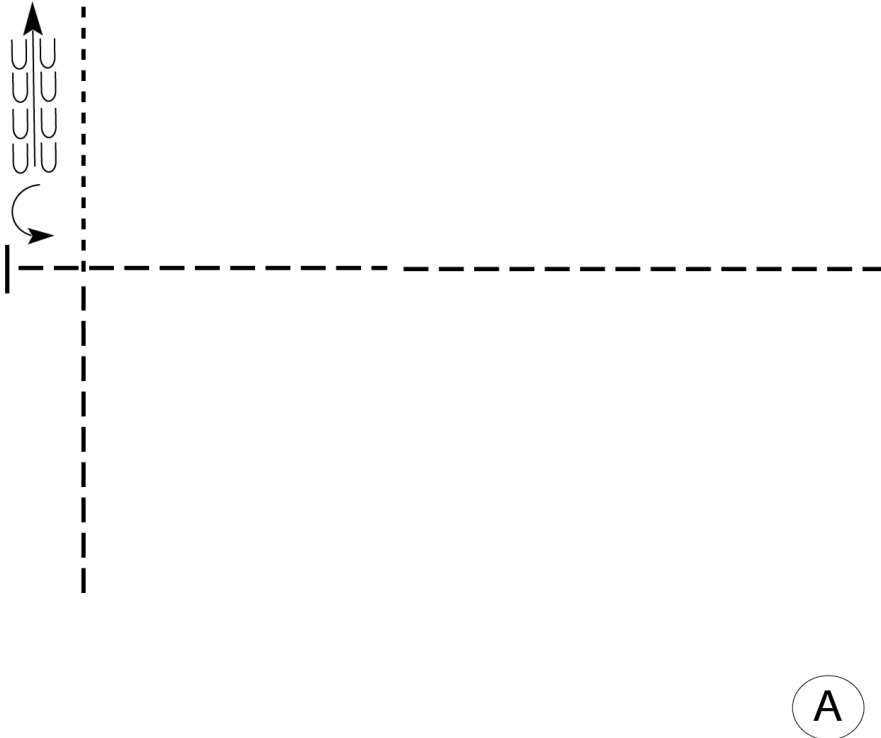
WSPHC Star Spangled Classic

Western Horsemanship (W/T All)

Show Date: July 23, 2023

www.HorseShowPatterns.com

www.HorseShowPatterns.com



Be ready at A.

1. Perform a jog from A and a square corner toward center of pattern.
2. Continue the jog in a straight line.
3. Stop and perform a 1/4 turn to the left.
4. Back 5 steps.
5. Walk until you cross your line.
6. Exit arena at a jog.

Walk	-----
Jog	- - - - -
Extended Jog	— — — —
Lope	
Lead Change	— / —
Back	← — — — —
Marker	⊙ B

[WH/WT-104]

Pattern Provided by:

Your Judges

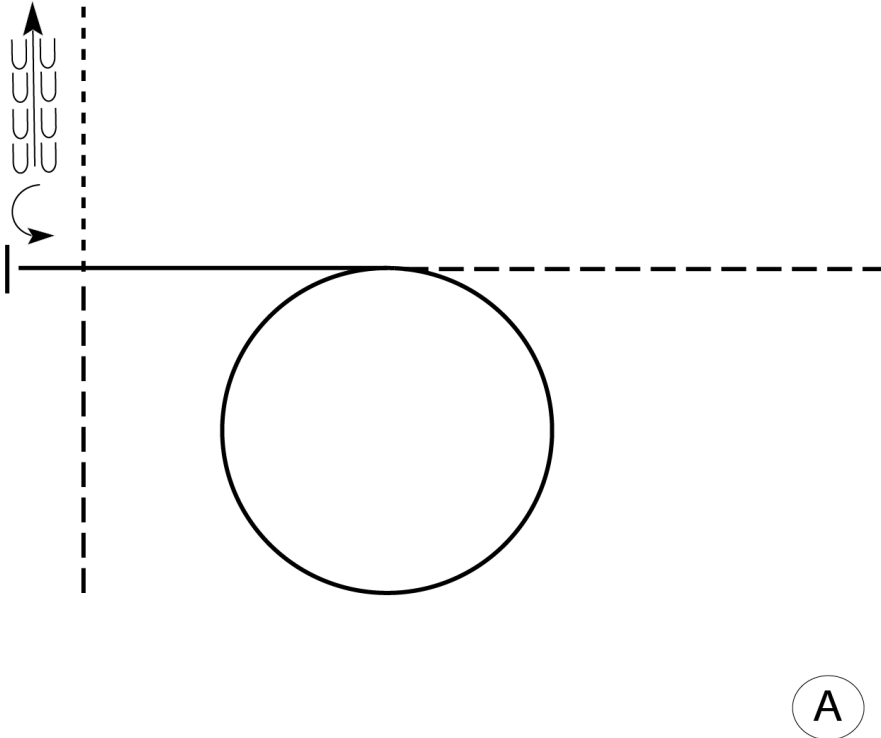
WSPHC Star Spangled Classic

Western Horsemanship (Nov Youth, Nov Am)

Show Date: July 23, 2023

www.HorseShowPatterns.com

www.HorseShowPatterns.com



Be ready at A.

1. Perform a jog from A and a square corner toward center of pattern.
2. Lope a left lead circle.
3. Close the circle and continue loping on the left lead in a straight line.
4. Stop and perform a 1/4 turn to the left.
5. Back 5 steps.
6. Walk until you cross your line.
7. Exit arena at a jog.

Walk	-----
Jog	- - - - -
Extended Jog	— — — —
Lope	
Lead Change	— / —
Back	← — — — —
Marker	⊙ B

[WH/1-104]

Pattern Provided by:

Your Judges

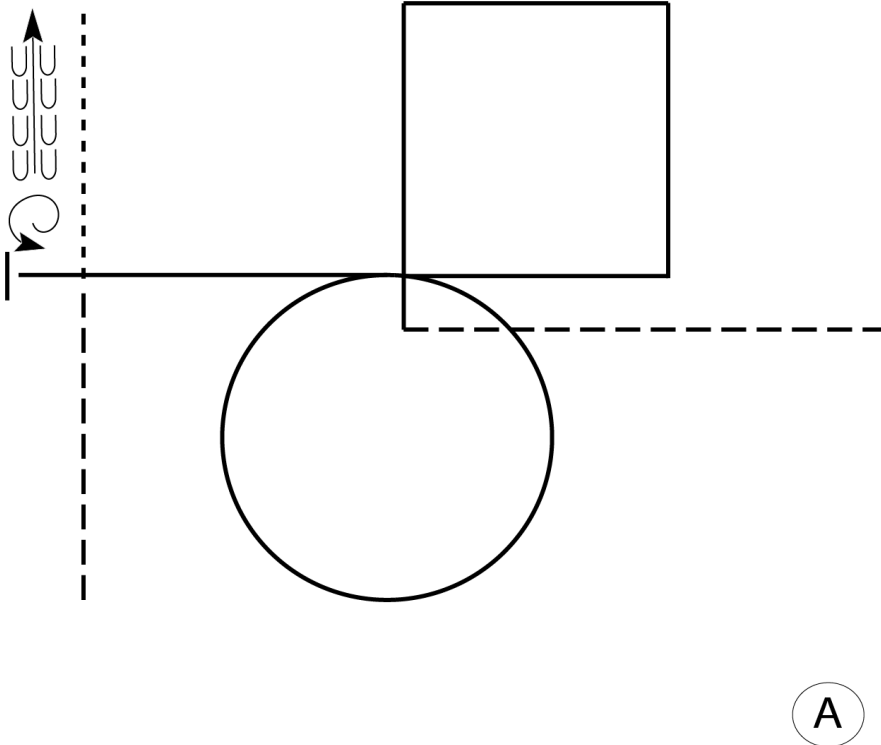
WSPHC Star Spangled Classic

Western Horsemanship (Youth ALL, Am ALL)

Show Date: July 23, 2023

www.HorseShowPatterns.com

www.HorseShowPatterns.com



Be ready at A.

1. Perform a jog from A and a square corner toward center of pattern.
2. Make a square corner right at center.
3. Lope a right lead square.
4. Change leads at center and lope a left lead circle.
5. Close the circle and continue loping on the left lead in a straight line.
6. Stop and perform a 1 1/4 turn to the left.
7. Back 5 steps.
8. Walk until you cross your line.
9. Exit arena at a jog.

Walk	-----
Jog	- - - - -
Extended Jog	-----
Lope	=====
Lead Change	
Back	
Marker	(B)

[WH/2-104]

Pattern Provided by:

Your Judges